

# Yard Ramp Selection Guidelines and Worksheet



## Capacity Guidelines for Yard Ramps

- The capacity you choose must be greater than the total gross moving load (GML); this equals the weight of the fork truck itself plus the weight of the load it carries. Systems, LLC recommends that you then double that figure and use that number as the basis for your weight capacity choice.

## What does “Usable width of my yard ramp” mean?

- Yard ramps widths are shown in the table below. The 70” and 84” widths are far and away the most common, with the 84” model used most often for specialized applications. Width of the ramp should be at least 15” wider than the widest equipment to be used on the ramp.

## Yard Ramp Lengths and Types

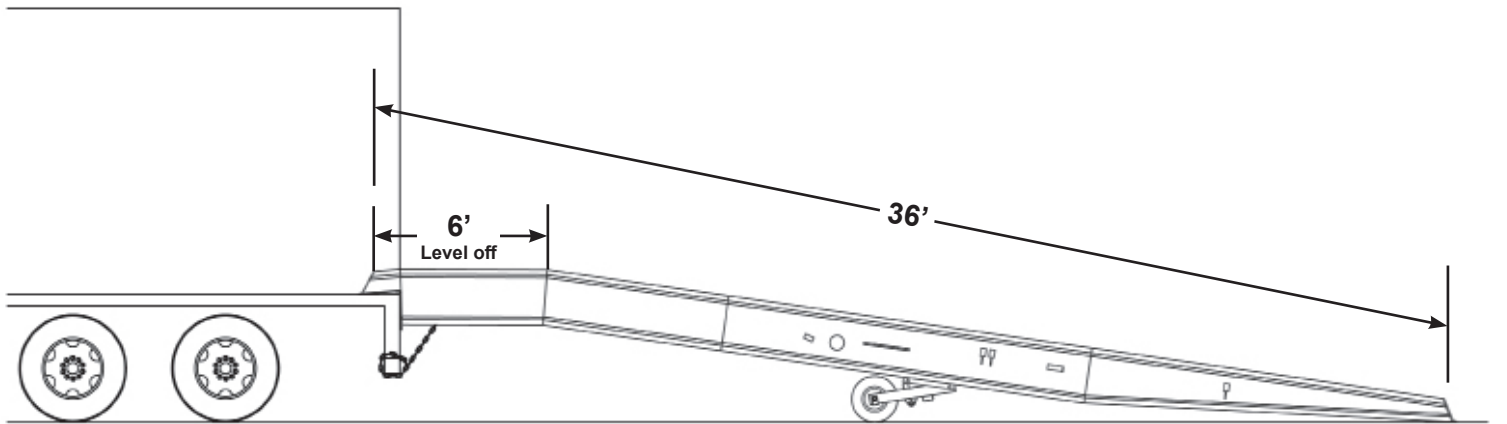
### *Straight , 30’ Length Yard Ramp*

- This type is used primarily for ground/grade level to loading dock applications, where no Level off space is required.

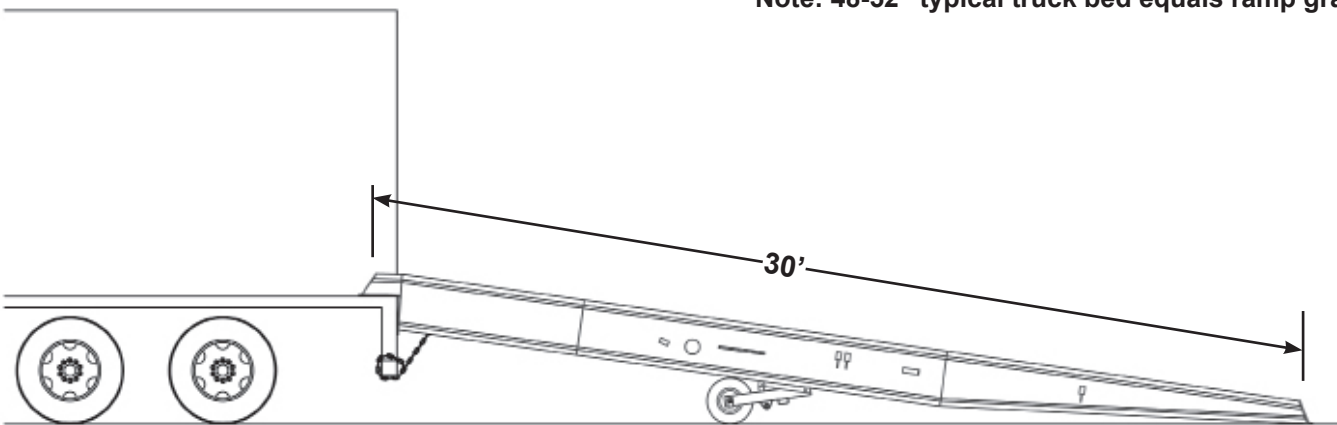
### *Level off , 36’ Length Yard Ramp*

- A six-foot Level off space at the end of the yard ramp adds maneuverability for forklifts. This allows forklifts easier turning access and allows them to handle pallets next to the door openings. The 36’ ramp is most popular where end-loading is required. This allows the fork truck to be on a level approach and correctly positioned for retrieval of end-loaded pallets.

# Yard Ramp Selection Guidelines and Worksheet



Note: 48-52" typical truck bed equals ramp grade of ±14%



Model	Overall Width	Inside Width	Length	Lip Section
<input type="checkbox"/> YD 70 30	70"	64"	30'	15"
<input type="checkbox"/> YD 84 30	84"	78"	30'	15"
<input type="checkbox"/> YD 70 36	70"	64"	36'	15"
<input type="checkbox"/> YD 84 36	84"	78"	36'	15"
<input type="checkbox"/> Other Size				

\* Note 36' units include level-off section

Capacity
<input type="checkbox"/> 16,000 lbs
<input type="checkbox"/> 20,000 lbs
<input type="checkbox"/> 25,000 lbs
<input type="checkbox"/> 30,000 lbs

Customer: _____	Certified For Construction: _____
Job: _____	By: _____
Location: _____	Date: _____
Number of Units: _____	Company: _____
Model: _____	City & State: _____
Size: _____	Drawing #: _____
Represented By: _____	_____
SalesRep: _____	_____

A continuing product improvement process is in effect at Systems, LLC. We reserve the right to make product changes without prior notice.